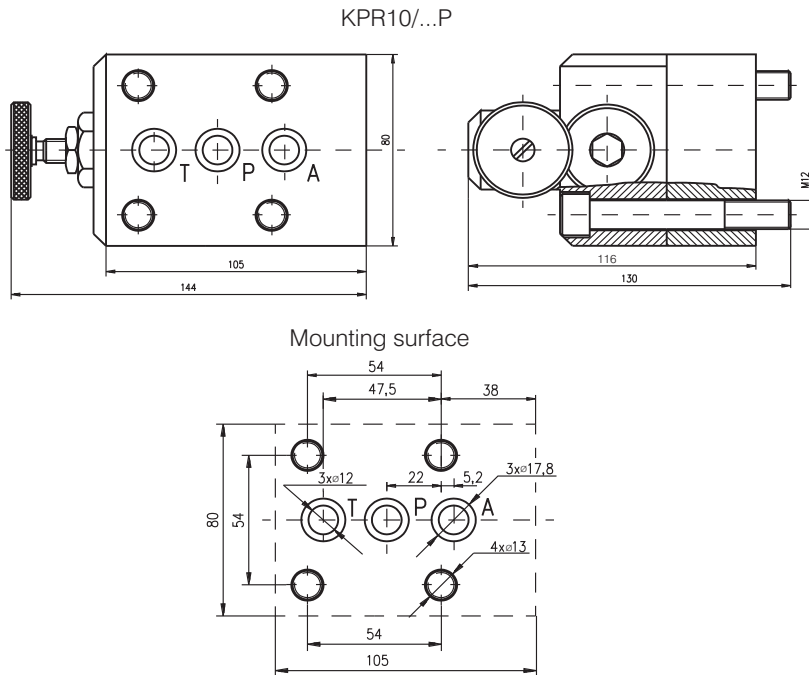


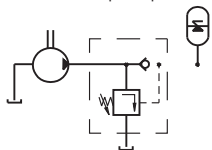
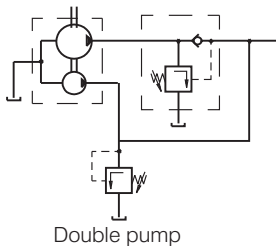
DESCRIPTION

- ✓ Unloading relief valves for plate mounting-KPR-10/...P
- ✓ Unloading relief valves are designed to switch on or switch off automatically the pump in the hydraulic system, depending on the pressure range at the pressure line (at the point after the check valve).

DIMENSIONS



APPLICATIONS



ORDERING CODE

KPR - 10 / *** P

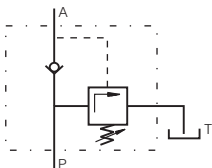
Unloading relief valve

Nominal bore 10mm.

Rated pressure: up to 63 bar.-**6,3**
 up to 160 bar.-**16**

Valve position - at line P

SYMBOL



TECHNICAL DATA

Weight		5,440 kg
Max. unloading pressure	KPR-10/6,3P	63 bar
	KPR-10/16P	160 bar
Rated flow ($\Delta p=2,5$ bar.)		40 l/min
Working liquid-hydraulic oils with characteristics:	-viscosity	10...400 cSt
	-degree of filtration	0,025 mm
	-temperature	-20...+80°C